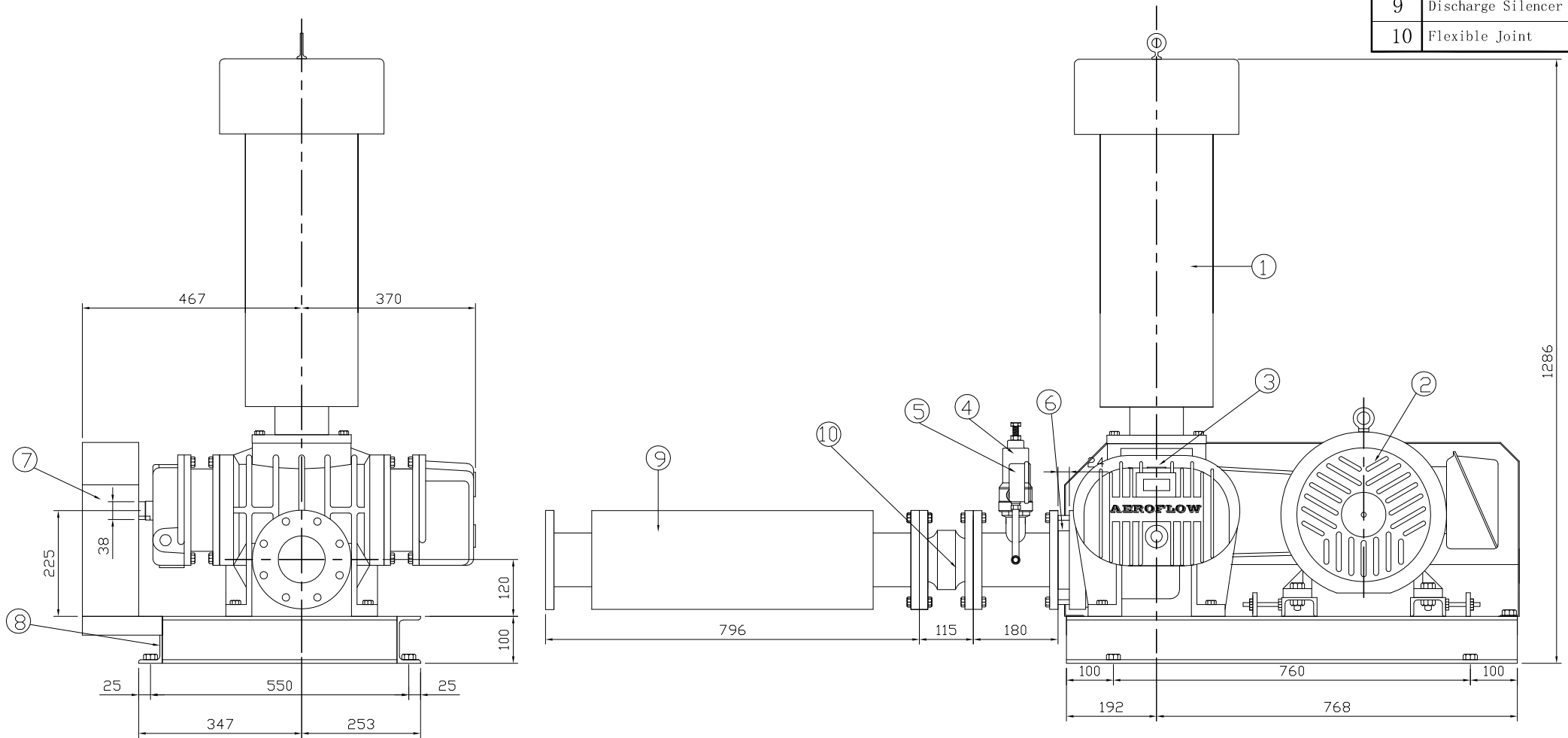


item	NAME
1	Suction Silencer
2	Moter
3	Roots Blower
4	Relief Valve
5	Pressure Gauge
6	cut-off valve
7	Guard
8	Pedestal
9	Discharge Silencer
10	Flexible Joint



HEY-WEL  
MACHINERY CO., LTD.

Drawing Name	Type NO.	Drawing NO.	Material	Unit	Scale	Drew	Date
Outline Drawing	RSS-100	C210-H0	Assembly	mm	A4 1/16	koko	08. 12. 04
Revision	Description	Revision	Description	Revise	Check	Approved	Projection